

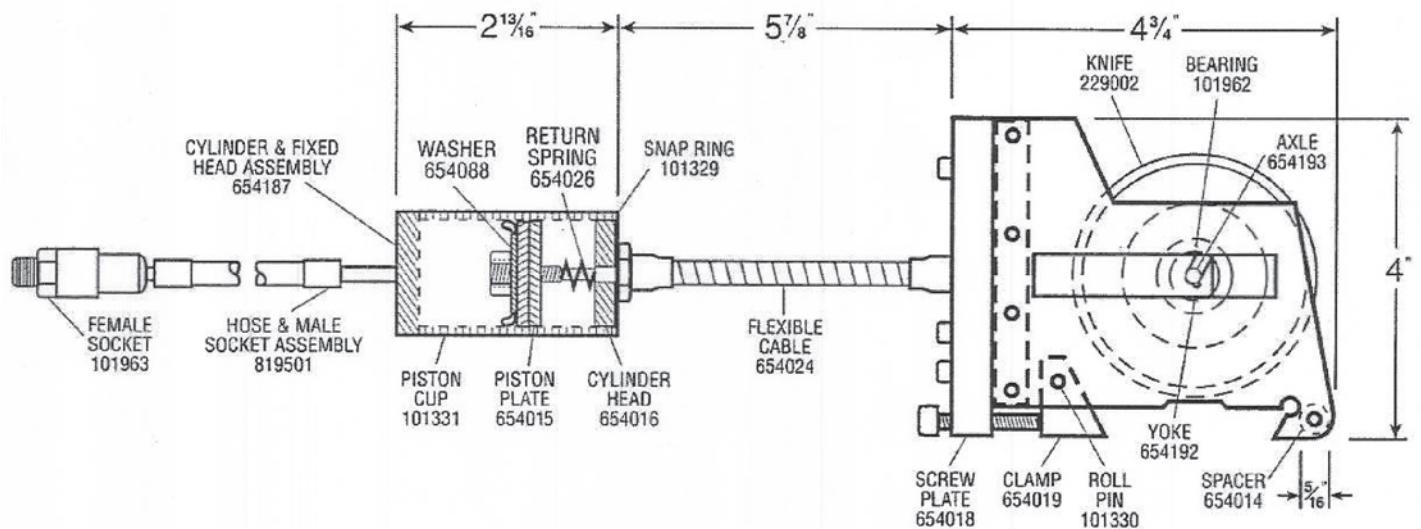
Dusenbery Style Heavy Duty Air Holder

Parts Diagram for TGW # 54AIRHOLDHD

Knife Holder Assembly Part Name	TGW #
Cylinder & Fixed Head Assembly 654187	680000051
Washer 654088	680000074
Return Spring 654026	680000053
Snap Ring 101329	680000078
Knife 229002	540030301
Bearing 101962	680000041
Axle 654193	680000028
Female Socket 101963	680000048
Hose & Male Socket Assembly 819501	680000046

Knife Holder Assembly Part Name	TGW #
Piston Plate 654015	680000073
Cylinder Head 654016	n/a
Flexible Cable	680000066
Piston Cup 101331	680000052
Clamp 654019	680000060
Screw Plate 654018	n/a
Roll Pin 101330	680000061
Yoke 654192	680000029
Spacer 654014	680000054

Dusenbery Heavy Duty Knife Holder Assembly Model 654803



TGW INTERNATIONAL

MACHINE KNIVES FOR THE PRINTING, PAPER,
PACKAGING AND PROCESSING INDUSTRIES

Email: printteam@tgwint.com • www.tgwint.com
5 Braco International Blvd. • Wilder, KY 41076

1-800-407-0173 for ALL Replacement Needs