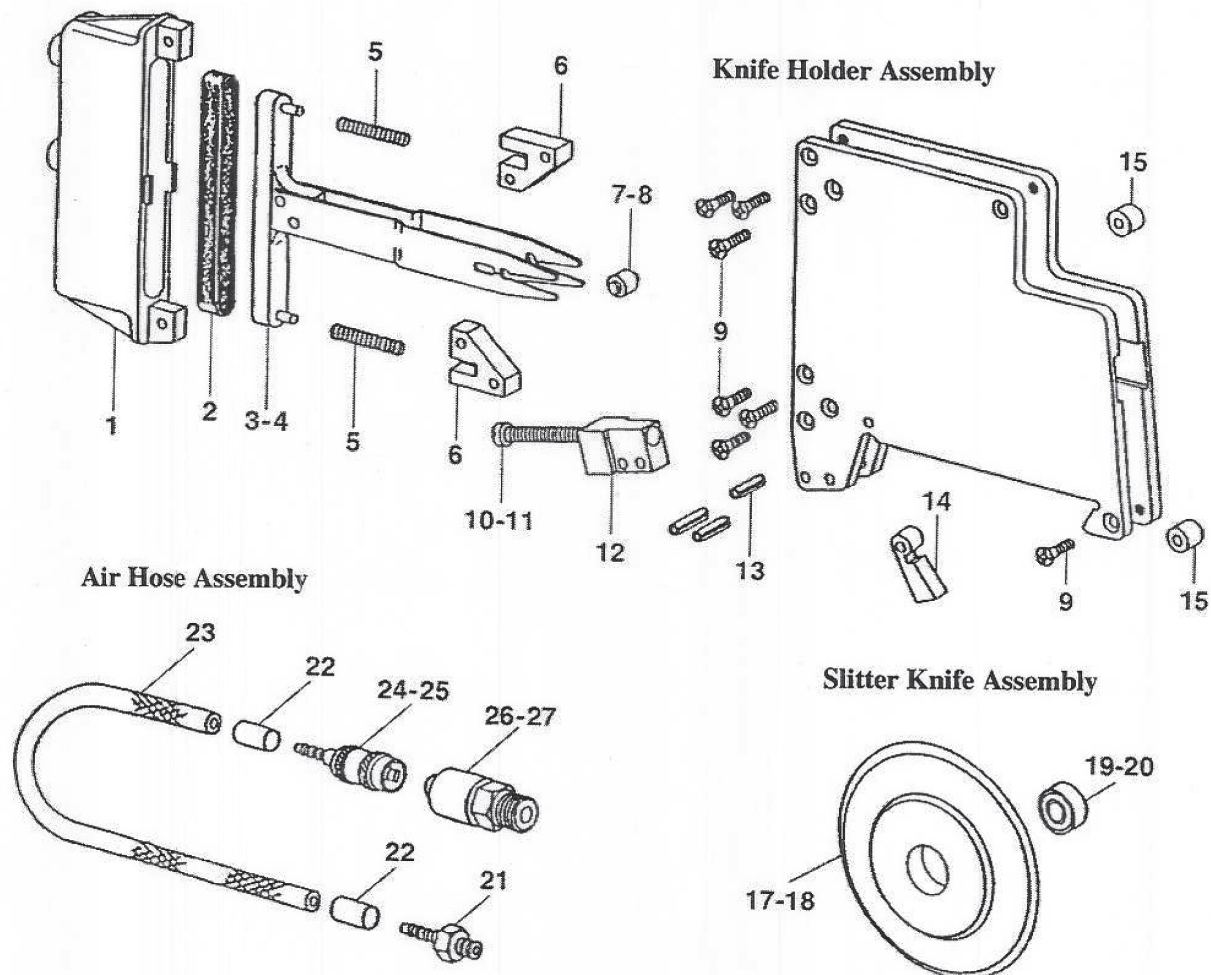


# Standard Air Holder

## Parts Diagram for TGW # 54AIRHOLD

Knife Holder Assembly Part Name	TGW #
1 Cylinder Housing	680000027
2 Piston Cup	680000015
3-4 Piston Fork Assembly	680000018
5 Spring	680000019
6 Stop Block	n/a
7 Axle 8 mm	680000001
8 Axle 6 mm	680000006
9 Flat Head Screw	680000022
10 Fillister Head Screw	680000013
11 Socket Head Screw	680000038
12 Clamp Screw Bracket	680000023
13 Spring Pin	680000037
14 Clamp Pawl	680000021

Knife Holder Assembly Part Name	TGW #
15 Spacer	680000073
16 extra	n/a
17 Slitter 3.03" x 22mm x .244"	540030302
18 Slitter 3.03" x 19mm x .244"	540030301
19 Bearing 22mm Shielded	680000079
20 Bearing 19mm Shielded	680000007
21 Hose Barb	680000035
22 Ferrule	680000044
23 Hose	n/a
24 Male Coupling --- Standard	n/a
25 Male Coupling --- European	n/a
26 Female Coupling --- Standard	680000003
27 Female Coupling --- European	680000005



**TGW** INTERNATIONAL

MACHINE KNIVES FOR THE PRINTING, PAPER,  
PACKAGING AND PROCESSING INDUSTRIES

Email: [printteam@tgwint.com](mailto:printteam@tgwint.com) • [www.tgwint.com](http://www.tgwint.com)  
5 Braco International Blvd. • Wilder, KY 41076

**1-800-407-0173** for ALL Replacement Needs